

# FLOS

## FUCSIA 12

<b>Mounting</b>	Pendant
<b>Type of ceiling pendant</b>	Suspension cable
<b>Lamps description</b>	12 x 28W E14 HSGSR
<b>Environment</b>	Indoor
<b>Finish</b>	Glass
<b>Technical description</b>	Suspension lamp providing direct light. 12 hand blown glass conical diffusers with sandblasted edges. Injection-molded, opaline silicone diffuser protection rings. White powder-coated tubular steel bodies. Ceiling rose assembly consisting of 12 extruded aluminum arms and 30% fiberglass reinforced, injection molded polyamide side plugs. Pressed and galvanized steel ceiling fitting.



**Fucsia 12**  
designed by Achille Castiglioni

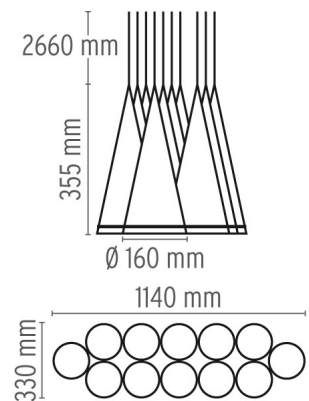
Suspension lamp providing direct light

## ELECTRICAL

<b>Emergency</b>	Without
<b>Voltage (V)</b>	230

F2413000 Glass

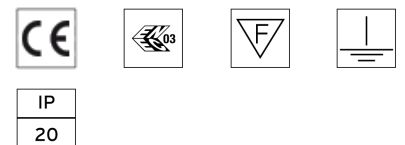
## DIMENSIONS



## PHYSICAL

<b>Supply</b>	Terminal block
<b>Cord length (mm)</b>	2660
<b>Construction material</b>	Glass, Silicone, Steel
<b>Weight (kg)</b>	14.3
<b>Minimum distance from illuminated object (mm)</b>	300

## CERTIFICATIONS



## Fucsia 12 . Lamps



### FUCSIA 28W E14 HSGSR

**Lamp wattage:**  
28 W

**Lamp category:**  
Incandescent

**Socket:**  
E14

**Lamp type:**  
HSGSR



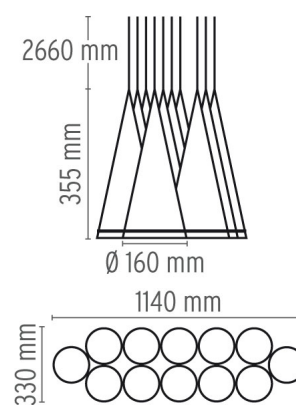
### Fucsia 12

designed by Achille Castiglioni

Suspension lamp providing direct light

F2413000 Glass

### DIMENSIONS



### CERTIFICATIONS



IP  
20